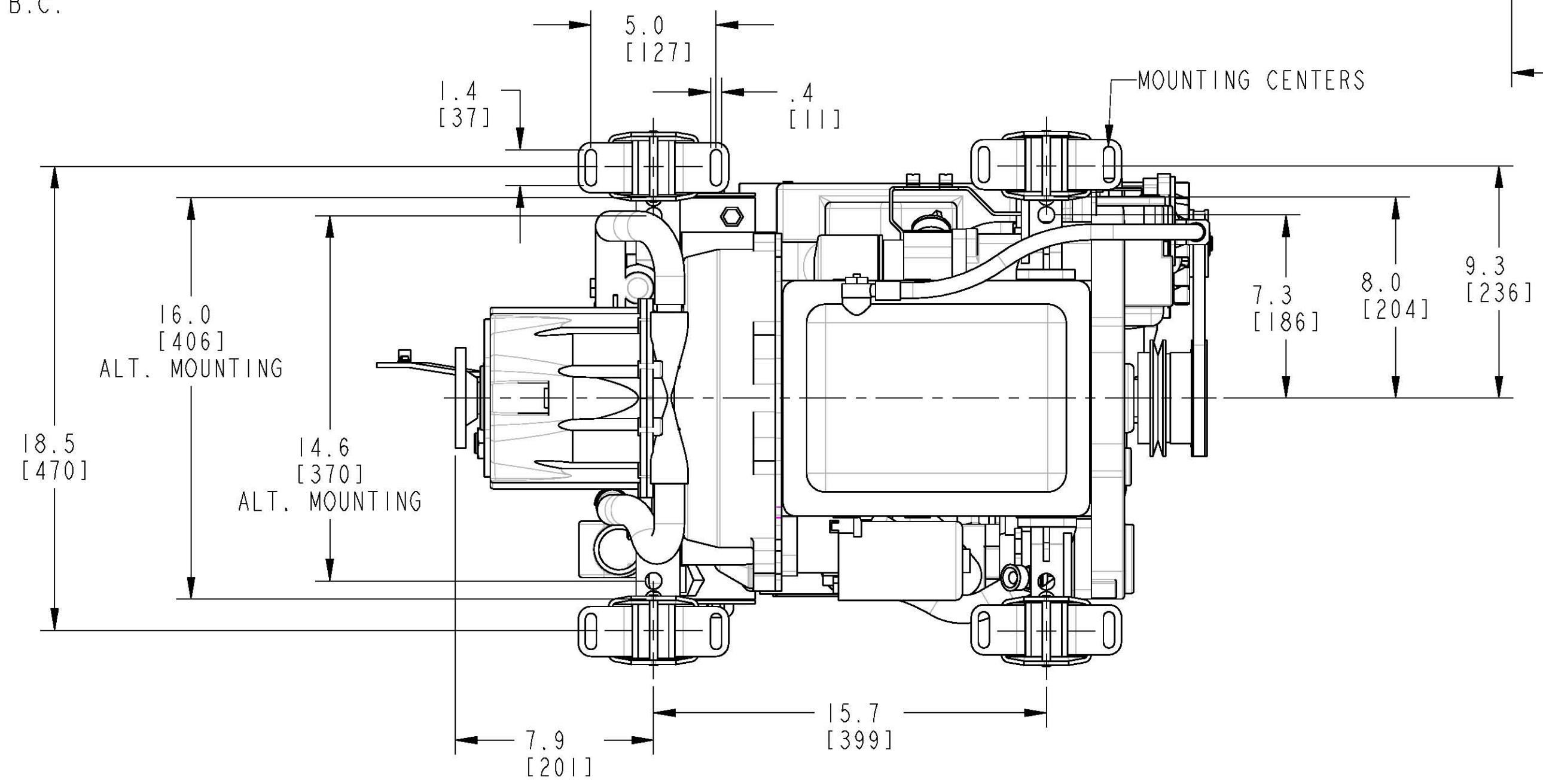
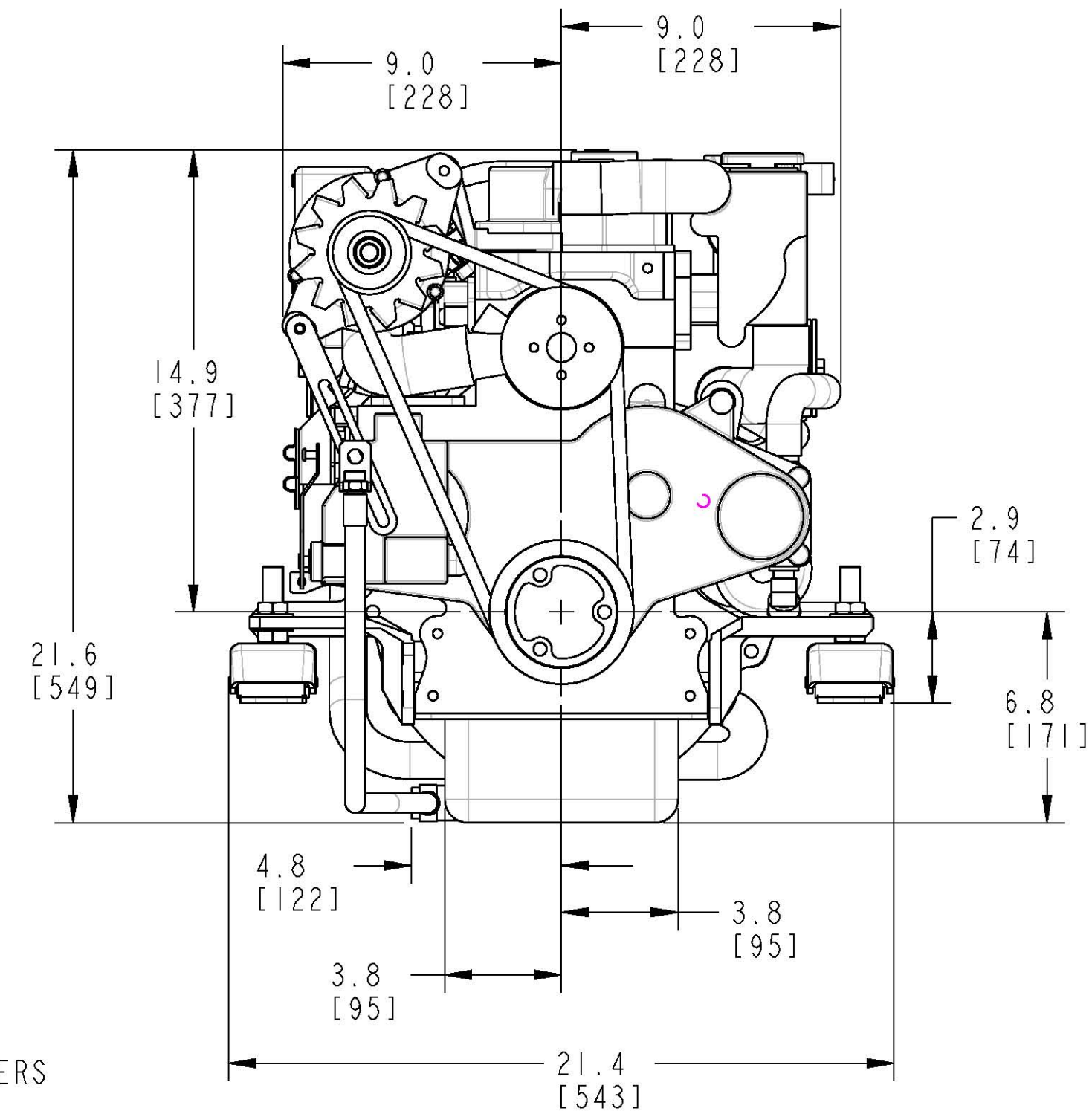
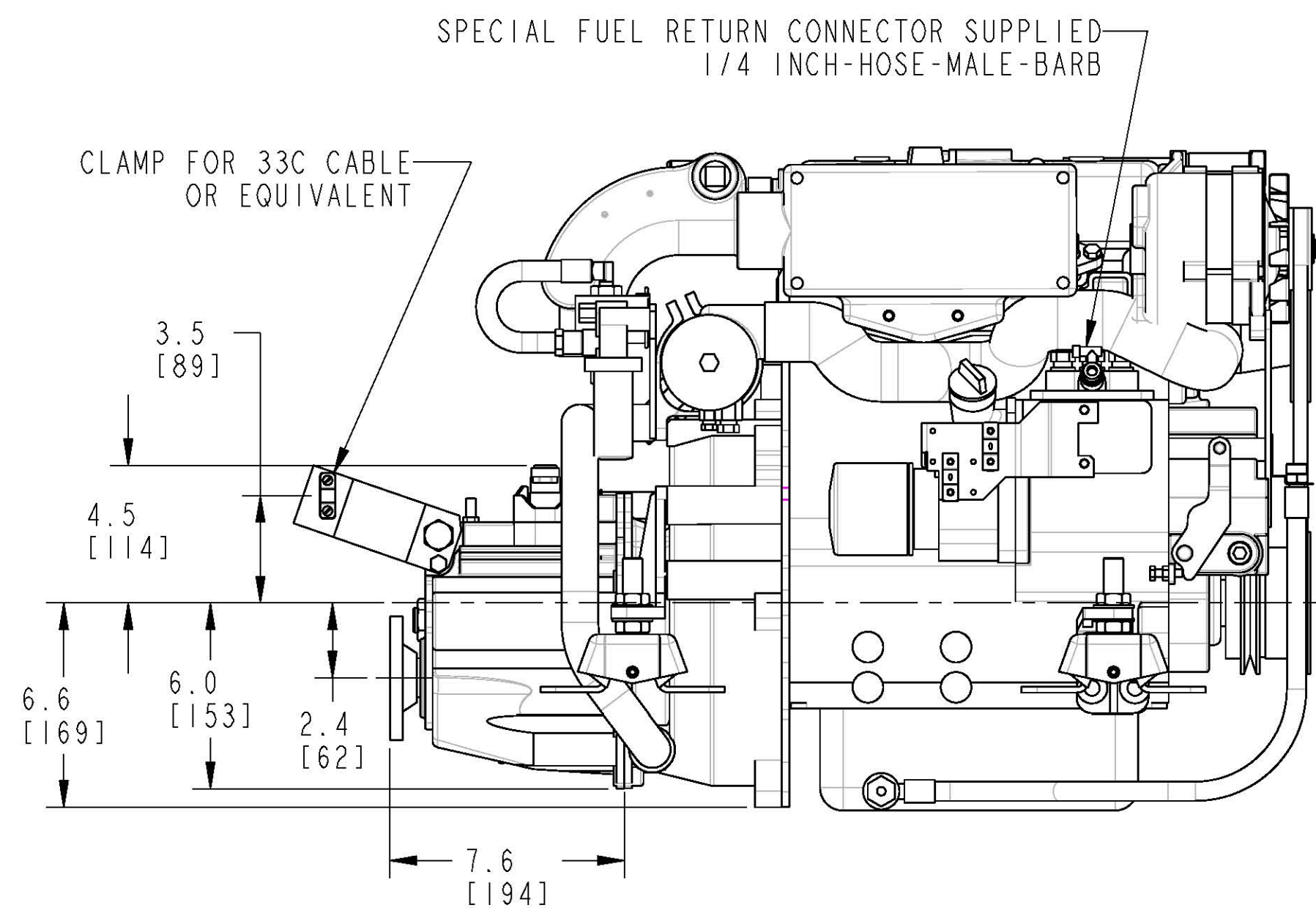
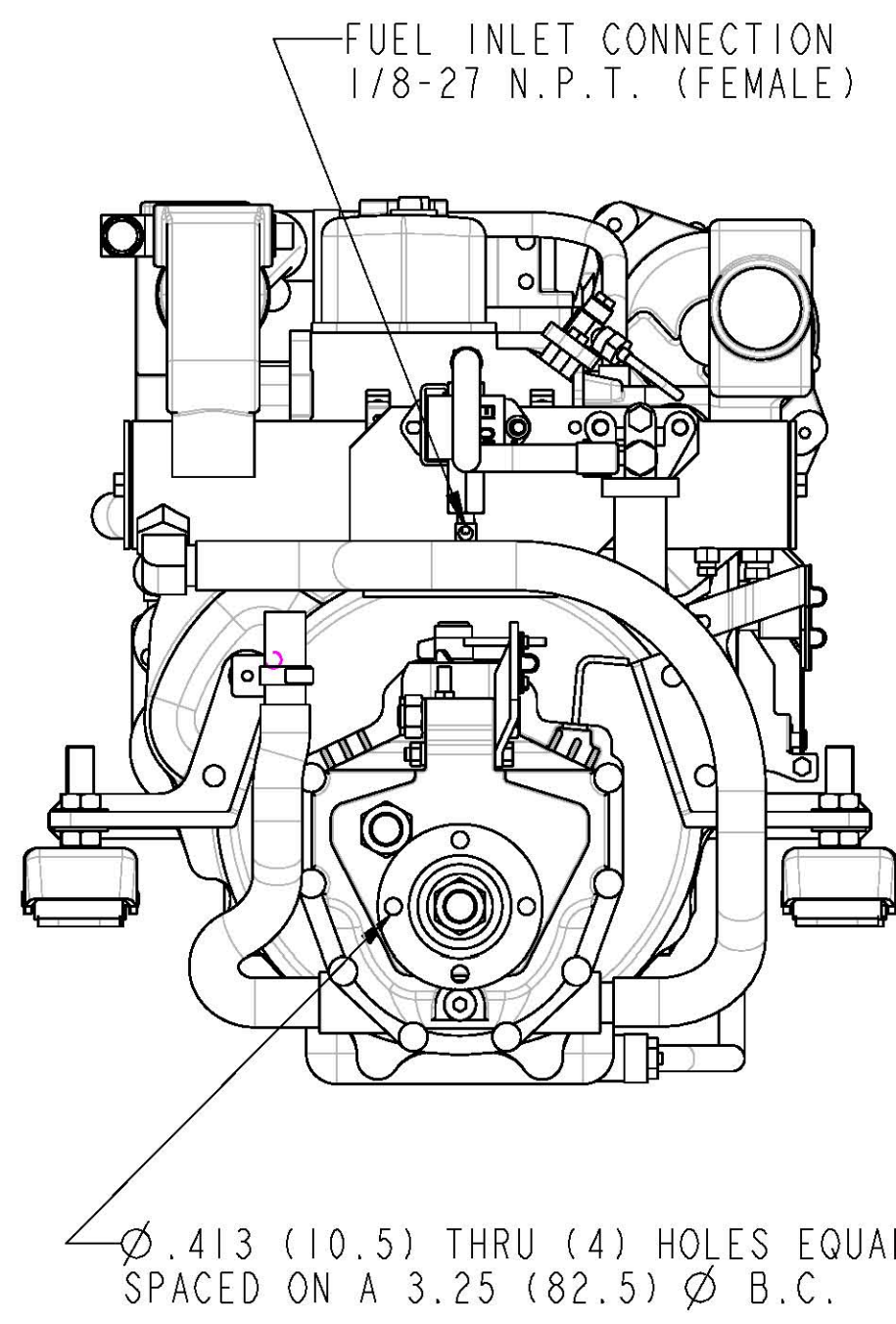
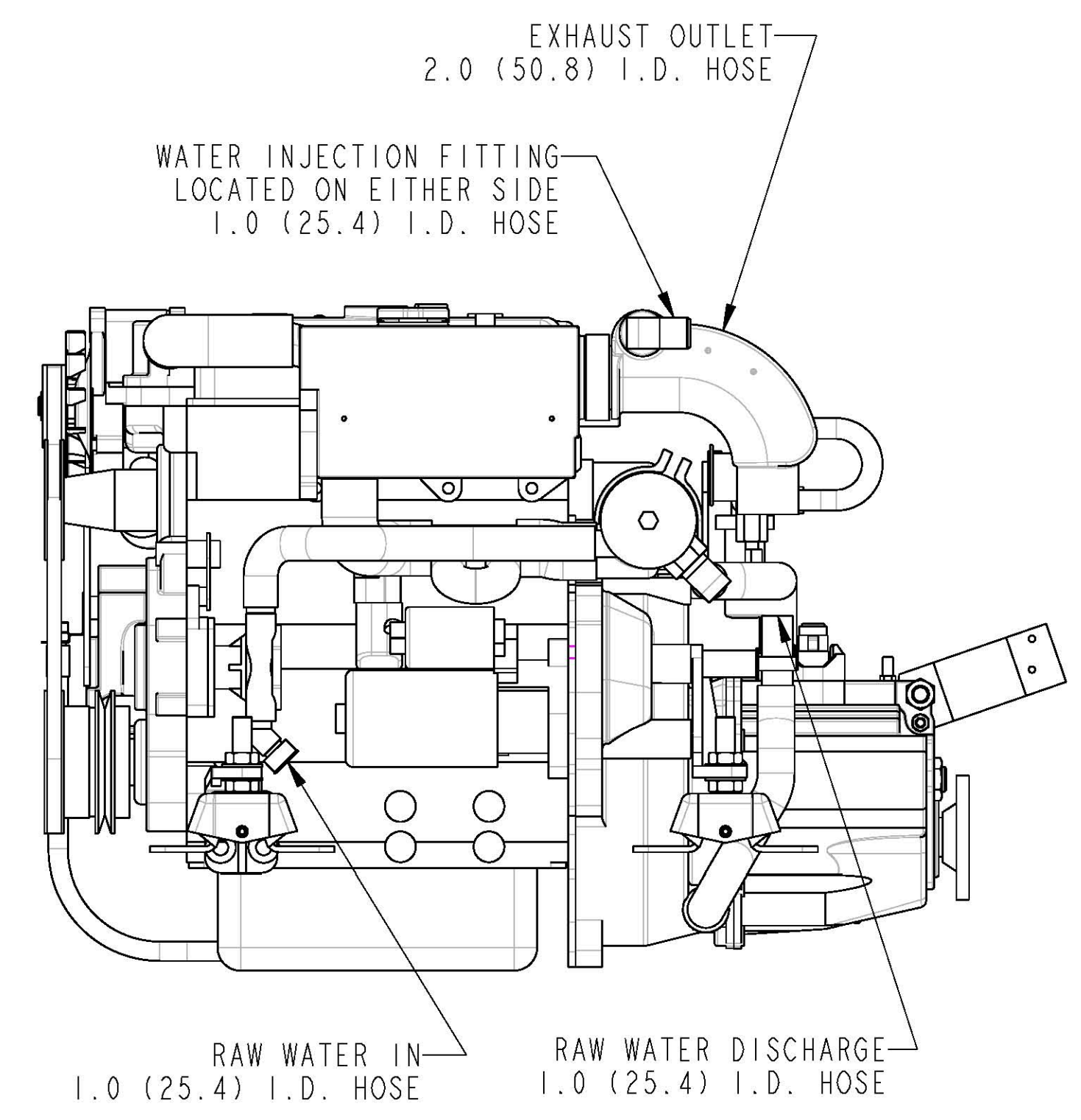
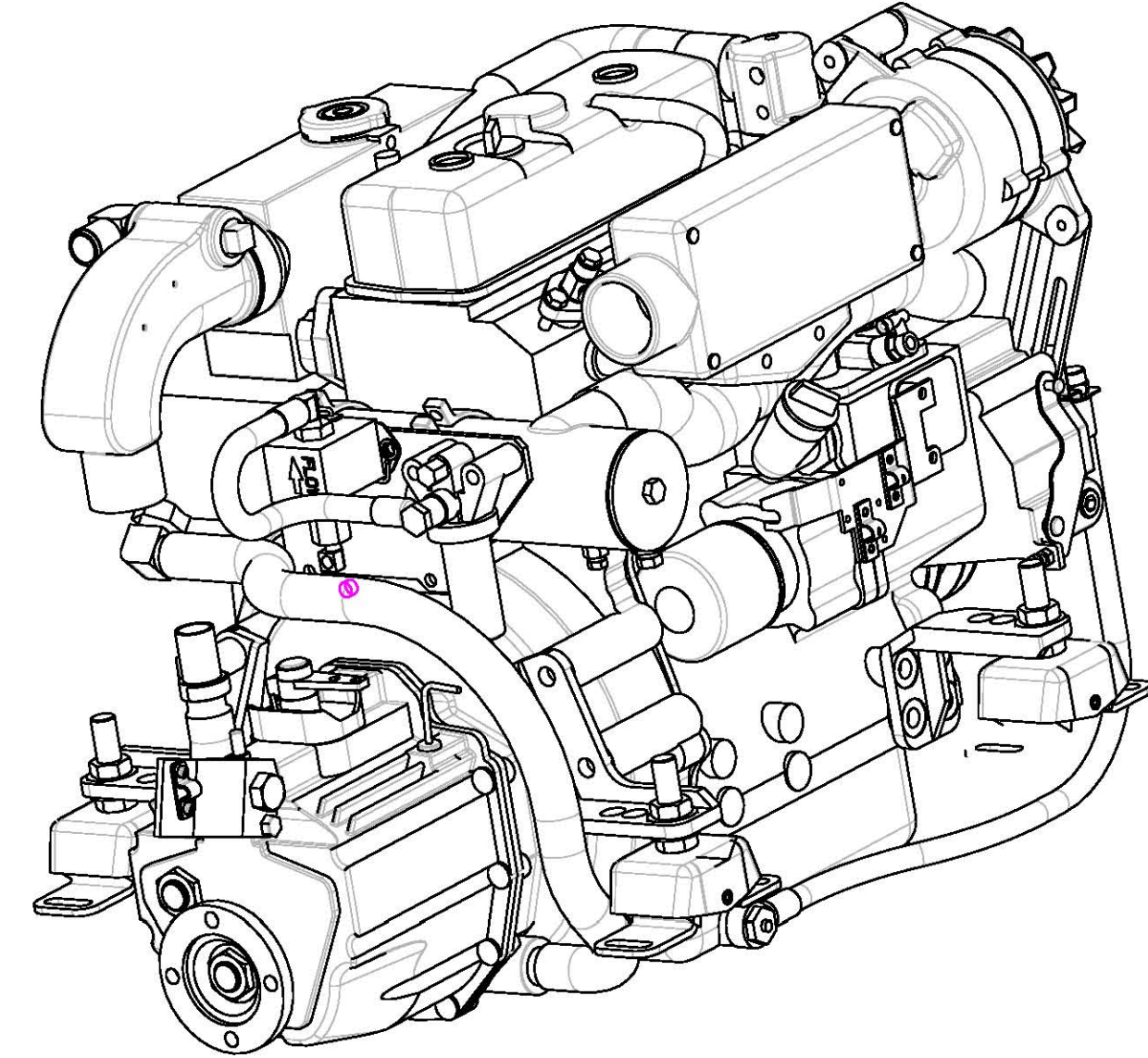
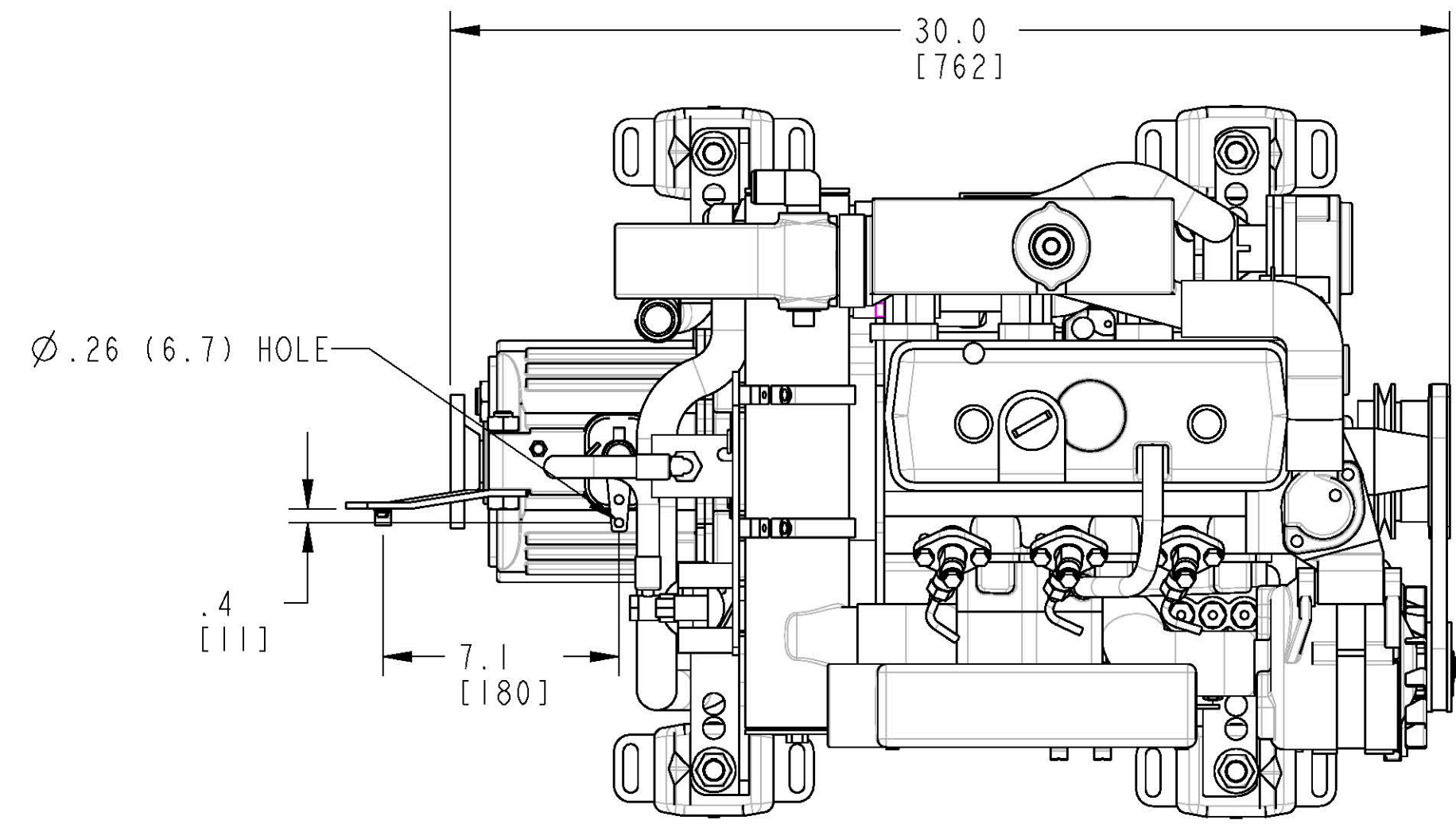


ECO NO.	DATE	REV.	REVISION RECORD	AUTH.	DR. BY
3749	6-1-98	A	REVISED AND REDRAWN		JM



TOLERANCES (UNLESS OTHERWISE NOTED)		WESTERBEKE CORPORATION TAUNTON, MA. 02780	
INCHES	MILLIMETERS	TITLE	MATERIAL:
.XX : .02	X. ± 1.0	INSTALLATION DRAWING	
.XXX : .005	.X ± .5	W35B THREE WITH JS TRANSMISSION	
CAST : .03	.XX ± .13		
ANGLES : .5°			
FINISH			
DIMENSIONS		DRAWN BY	DATE
INCHES		JM	10-9-87
MILLIMETERS		APPROVED BY	DATE
(WHEN APPLICABLE)			
SCALE 0.218	SIZE	DRAWING NUMBER	REV.
SHT. 1 OF 1	D	37229	A